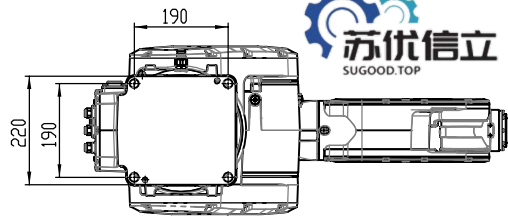
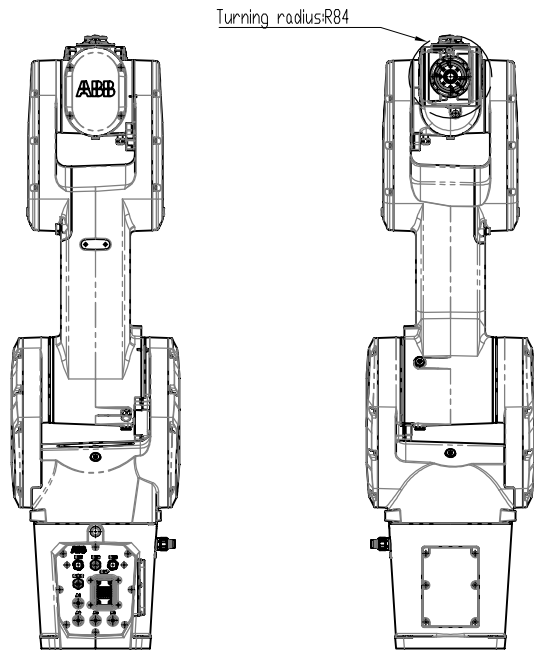
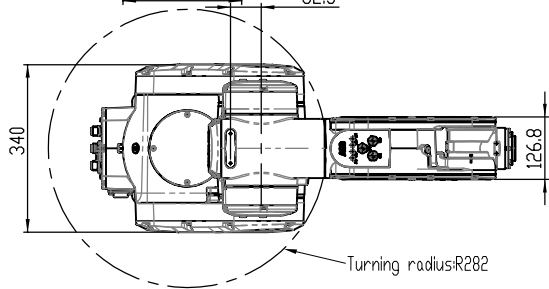
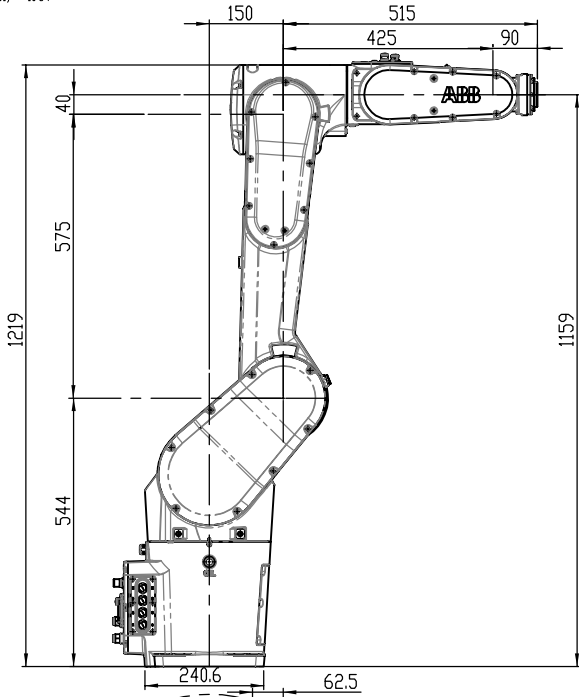


201201, 1054

Supplementary document	Doc. type	Docuent	Description
------------------------	-----------	---------	-------------



武永康  
13913235524  
(微信同号)

Prepared	Responsible department	Description Dimension drawing, IRB1300	SVD	Drawing	
Approved	Take over department				
Status	EDD number				
		Document no.			Rev. id.

Latest Revision