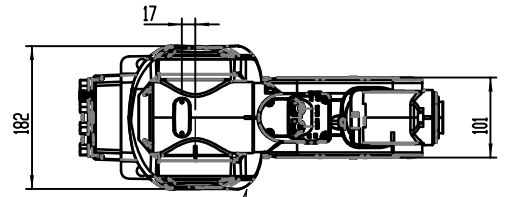
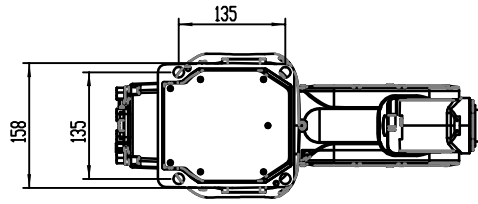


181008, 1358



武永康  
13913235524  
(微信同号)

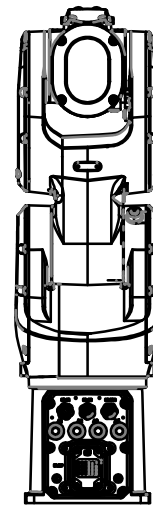
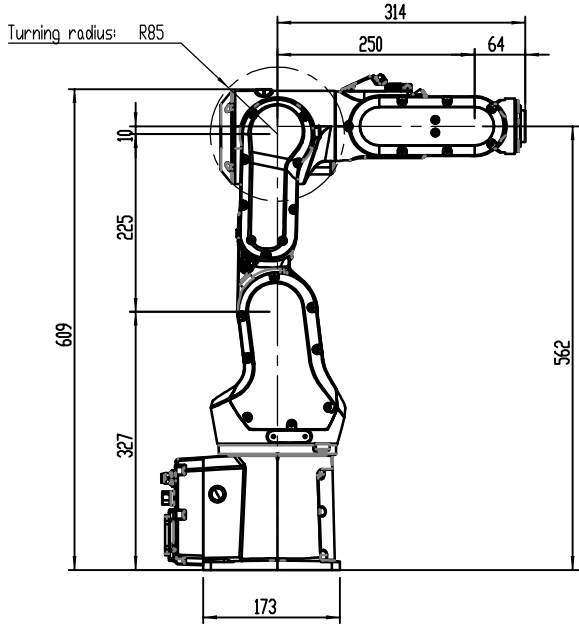
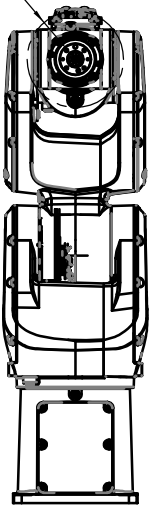
Supplementary document	Doc. type	Docuent	Description
------------------------	-----------	---------	-------------



Turning radius: R109

Turning radius: R61

Turning radius: R85



New	Prepared G Ma., 181008	Responsible department RMRO CN/RM	Description Working area IRB1100	SVD	Drawing	
	Approved	Take over department				
	Status Draft	EDD number 500000100801	Document no. 3HAC066314-005	Sheet 1	No. of sh 4	Rev. kd.
Latest Revision						