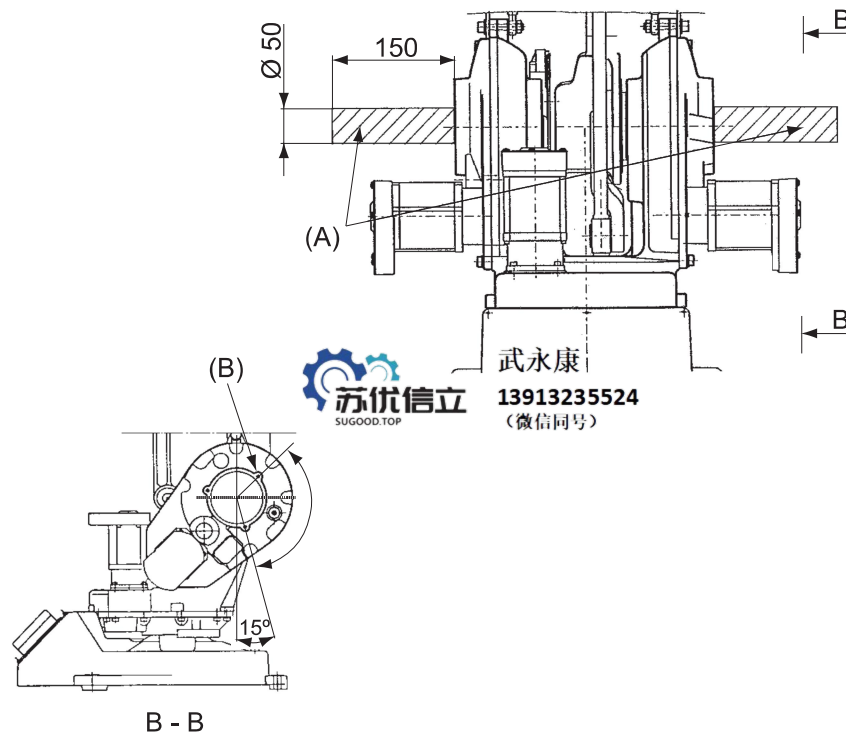


1 Description

1.6.1 Information about mounting equipment

Continued



xx110000805

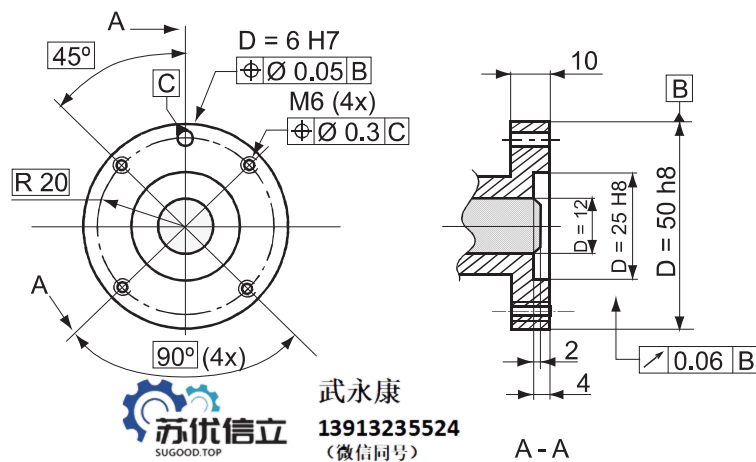
Pos	Max load
A	Max 19 kg total
B	Mounting holes for equipment, both sides, M8 (3x) R= 75 mm, depth 16 mm



Note

Maximum loads must never be exceeded!

Tool flange



xx110000806

Continues on next page