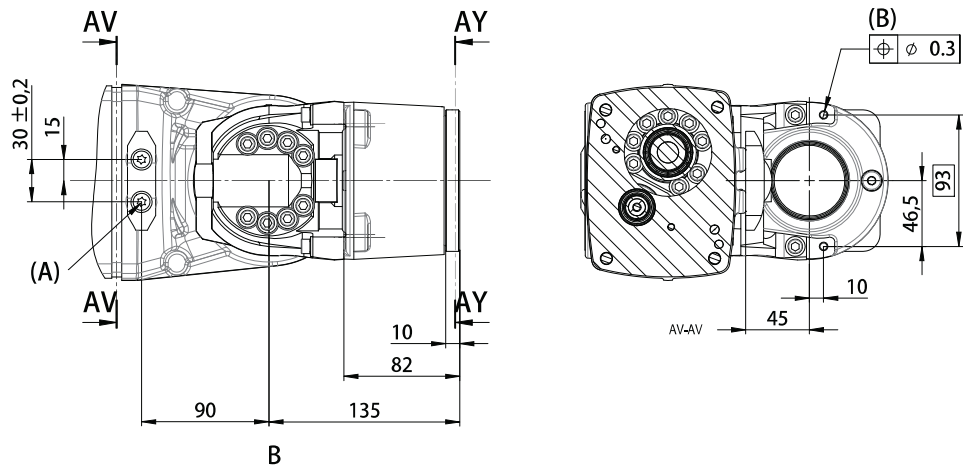




武永康
13913235524
(微信同号)



xx1500001251

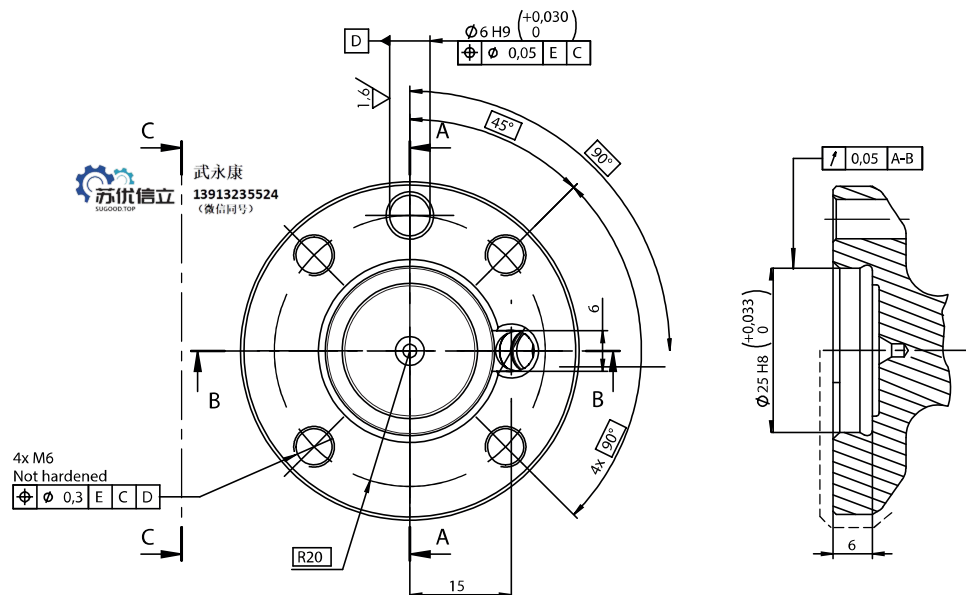
A	2xM6 depth 12, mounting holes for equipment
B	2xM6 depth 18, mounting holes for equipment



Note

Lower arms among IRB 1600 and IRB 1660ID are the same. For holes on the lower arm, see [Holes for mounting of extra equipment for IRB 1600 on page 46](#).

Robot tool flange for IRB 1600



xx1000000912

Continues on next page